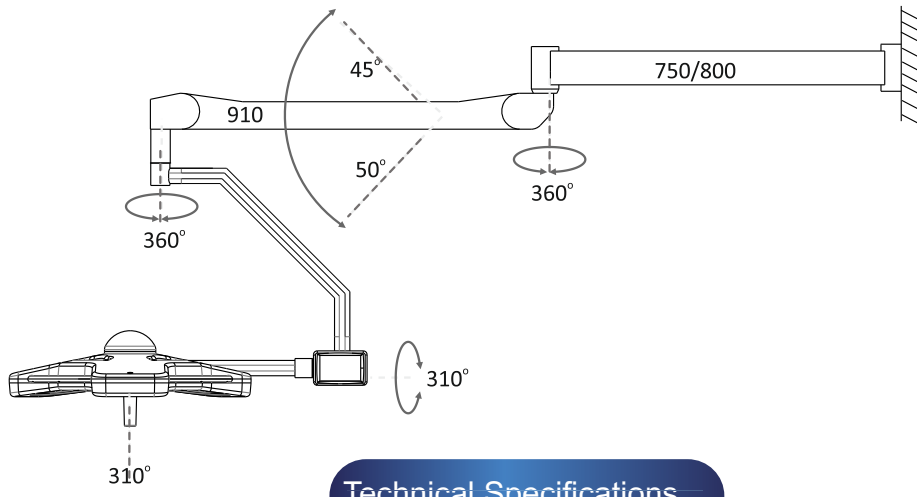


An Ecient View to Life for More Than Seeing



ELITE
Wall Mount LED Surgical Light

Wall Mount Operating Light System



Technical Specifications

Main Dome	160.000 Lux / 130.000 Lux
Operating Voltage	220 V 50/60 Hz +/- %10
Color Temperature	3.500K – 4.800K / 5 Steps
Spot Diameter	11cm - 18cm
L1+L2 (20%)	>110 cm.
L1+L2 (60%)	>41.5 cm.
Spot Adjustment (Narrow)	Manuel / Motorized
Power Consumption	42 W
Maximum Illumination	For All Spot Diameter
Illumination (Lux)	160.000(20%-100%)/10 Steps 130.000 (20%-100%)/10 Steps
Endoscopy Mode	Yes
CRI R _a	>96
CRI R _g	>97
LED Life	60.000 hours
Radiant Energy Ratio	< 3,5 mW/m ² Lux
IP54	Yes
Accessories	Sterilizable Handle
Diameter	65 cm
Material	Aluminium, Smooth Surfaces, Rounded Curves
Easy & Fast Cleaning	Yes
Laminar Flow	Yes

Optionals

Battery
Camera Infrastructure
4K Camera / Full HD Medical Camera
Wireless/Cable Wall Panel
Head Sensor
External Endo Mode
Dual Control Panel (Twin Panel)-DUCOP [®]
4K Full HD Monitor
Recorder